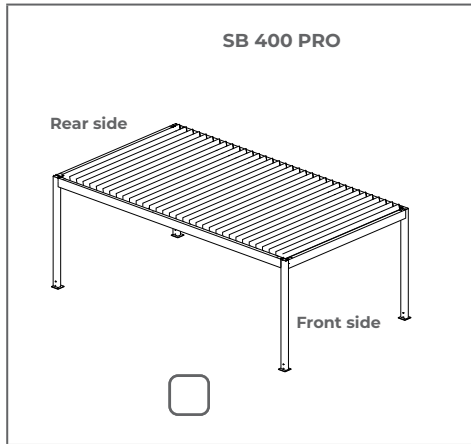


# Order form

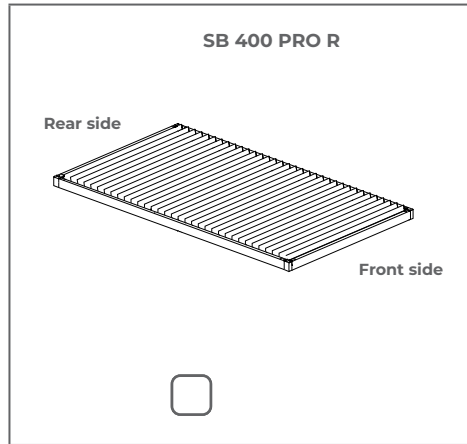
## Pergola SB 400 PRO

Order number:

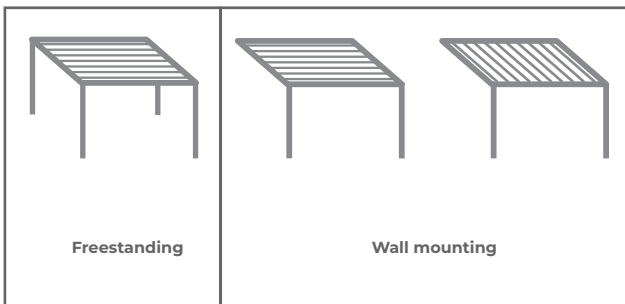
### 1. Model SB 400 PRO



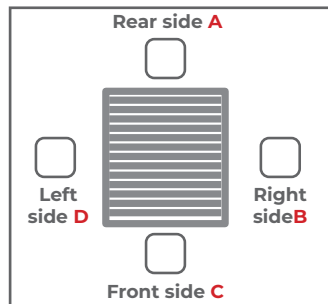
### Model SB 400 PRO R



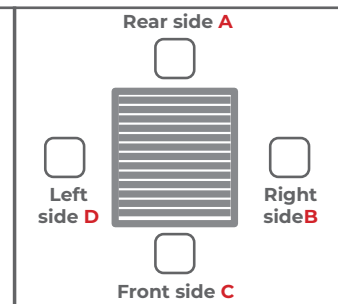
### 2. Variant of pergola



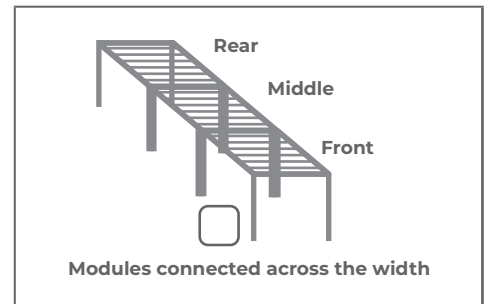
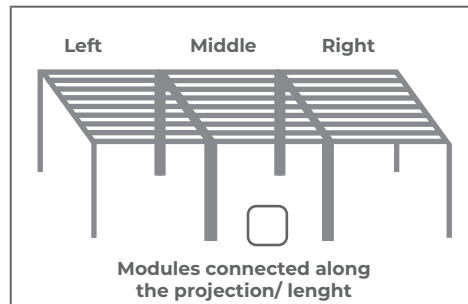
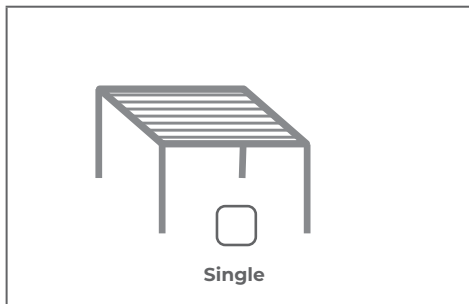
### Wall mounting side



### Drainage side



### 3. Modules?

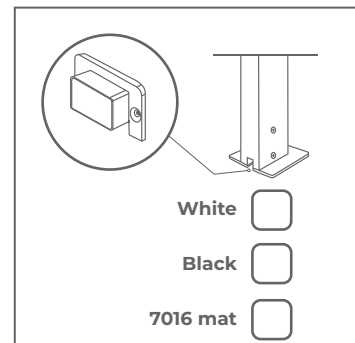


### 4. Colors

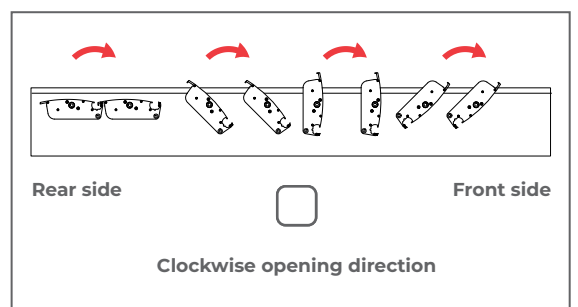
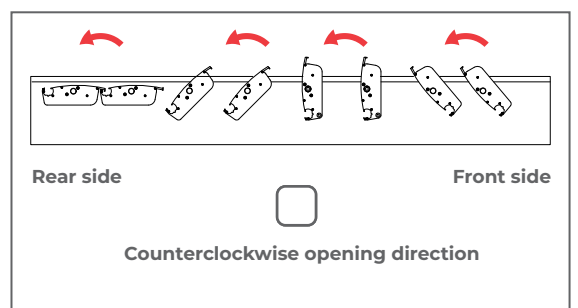
Construction	Slats
<input type="checkbox"/> Ral 9016 mat	<input type="checkbox"/>
<input type="checkbox"/> FSM 71319 struktura	<input type="checkbox"/>
<input type="checkbox"/> RAL 7016 mat	<input type="checkbox"/>
Other RAL construction colour*	
<input type="text"/>	
Other RAL* colour	
<input type="text"/>	

\* for an extra charge

### 5. Drainage cover colours



### 6. Direction of slats opening



### 7. Roof Slant

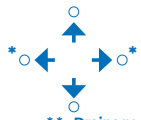
Flat/even Roof \*

Slanted roof FROM the motor \*\*

\* As a standard we produce the Flat/even Roof

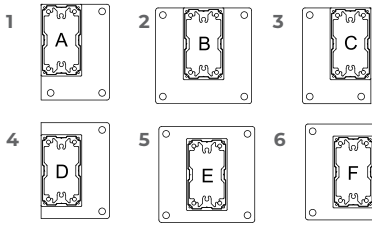
\*\* Height difference between the ends of the roof blade is 15mm

8. Feet:



MARK THE DIRECTION OF WATER DRAINAGE

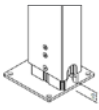
\*\* Drainage on the wider side of the column at extra cost



8 **X**-LACK OF POST

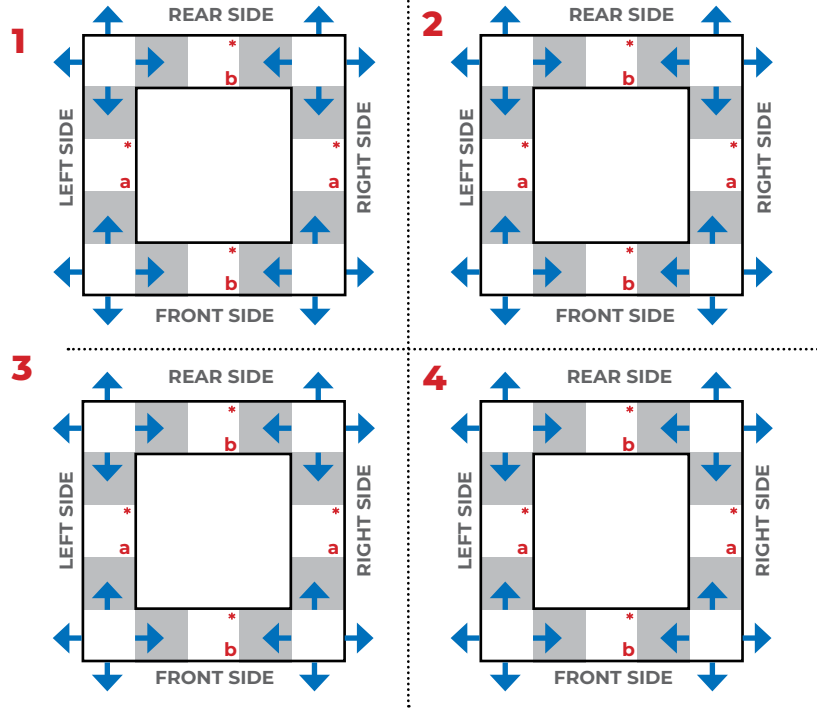
9 **M**- ATTACHMENT TO THE WALL

**Z**- FLUSH FOOT



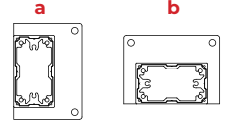
**R** -ADJUSTABLE FOOT

Enter the foot type in the corresponding white boxes, for each module ordered (max. 4 per form).



\*ADDITIONAL COLUMNS (WITHOUT DRAINAGE) AT EXTRA COST

LOCATION OF ADDITIONAL



10. Dimensions

l.p	Width max 4000 mm	Projection/Length max 7000 mm	Clear height max 2800 mm	Motor side left/right	Wall mounting side Left/ Right-Front/ Back	Drainage side Left/ Right Front/ Back	Module: 1. Single 2. Left / Middle / Right 3. Front / Middle / Rear	Additional column Left/ Right Front/ Back	additional column placed symmetrically or the distance from the additional column ***
1									
2									
3									
4									

11. Type of electric control

Somfy Tilt 24V motor  
Blade rotation 0-1200,  
Somfy unit control panel  
IO Louver,  
5k IO remote control,  
INCLUDED IN THE PRICE  
OF THE PERGOLA

10. led lighting

Led strip around inner perimeter of pergola (4000-4500K)

LED 3200K COB  LED 4000K

Light points in the blades\* 3300K

\* radio receiver compatible with selected control unit included in price



\*\*\* ADDITIONAL RIGHT AND LEFT COLUMNS DISTANCE TO THE REAR COLUMN  
ADDITIONAL FRONT AND REAR COLUMNS DISTANCE TO THE LEFT-HAND COLUMN

IN THE WALL VERSION IT IS THE DISTANCE FROM THE ADDITIONAL POST TO THE END OF THE PERGOLA

Other electronic devices

Delivery address:

Remarks:

The Buyer declares that he/she knows the English language and understands the declarations made and accepted in the Czech language. He understands his order, has read and agrees to the General Terms and Conditions, General Warranty Conditions, technical and operational documentation and Declaration of Performance. For outdoor systems, the Declaration of Conformity for motorized systems and Information for the installation of safety features for indoor chain and cord systems are available at: [www.selt.com/dte-en](http://www.selt.com/dte-en)

Signature

Customer

Date